



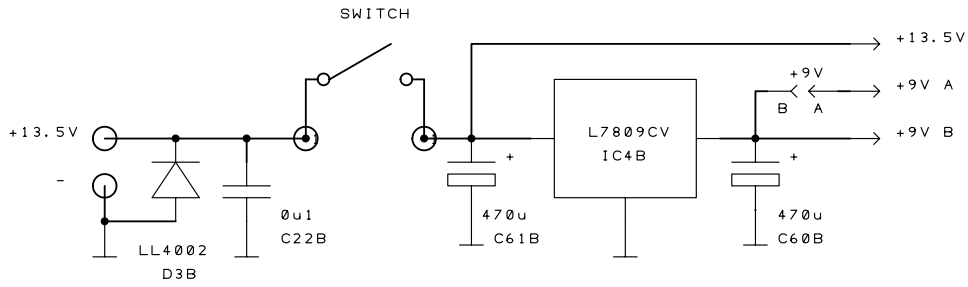
Schematics for the Analog A and B boards

Design and Copyright by:
SM6DJH Olof Holmstrand

Content is NOT allowed for commercial use without written approval by the designer.

Further information about the QROlle II project can be given from the homepage:

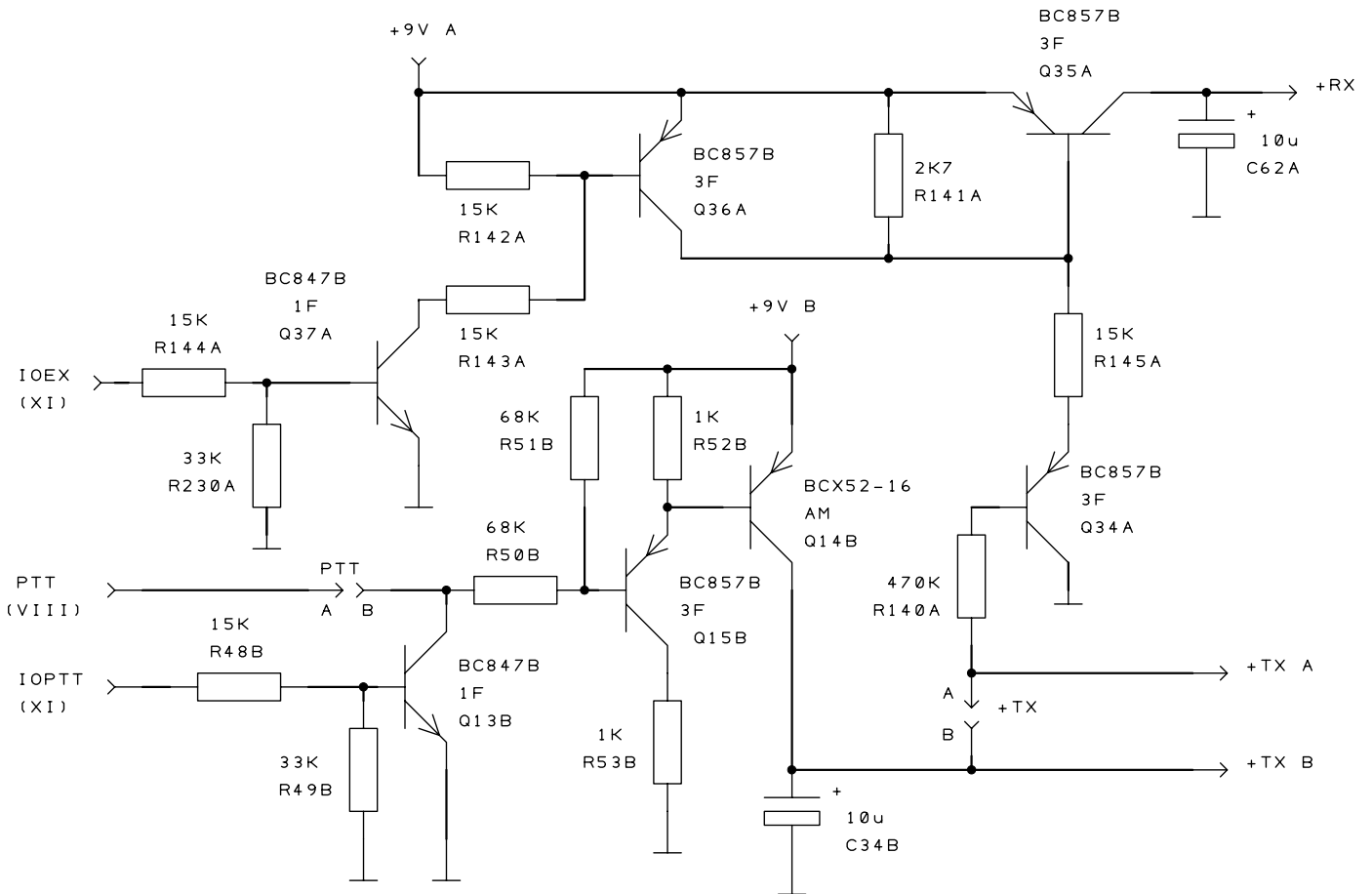
www.qrolle.se



I. POWER SUPPLY UNIT

CIRCUIT DIAGRAM QROLLE II

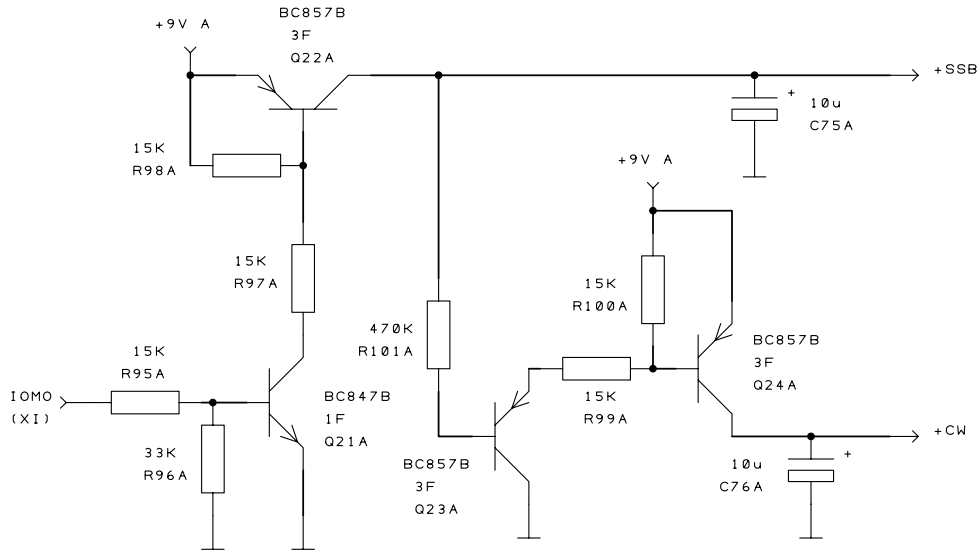
Version 4 2009-05-19 OH



II. RX / TX SWITCH

CIRCUIT DIAGRAM QROLLE II

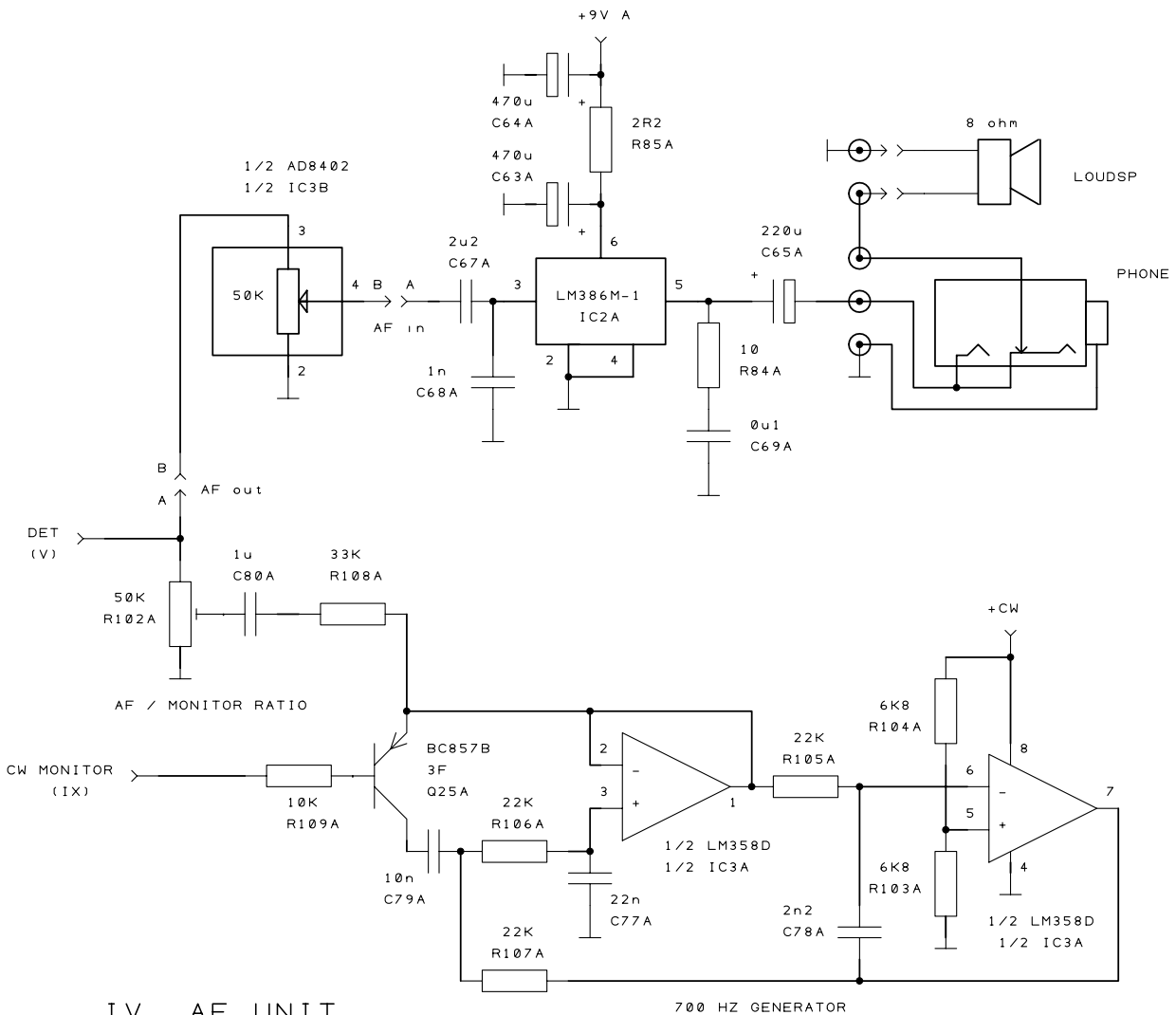
Version 4 2009-05-19 OH



III. MODE SWITCH

CIRCUIT DIAGRAM QROLLE II

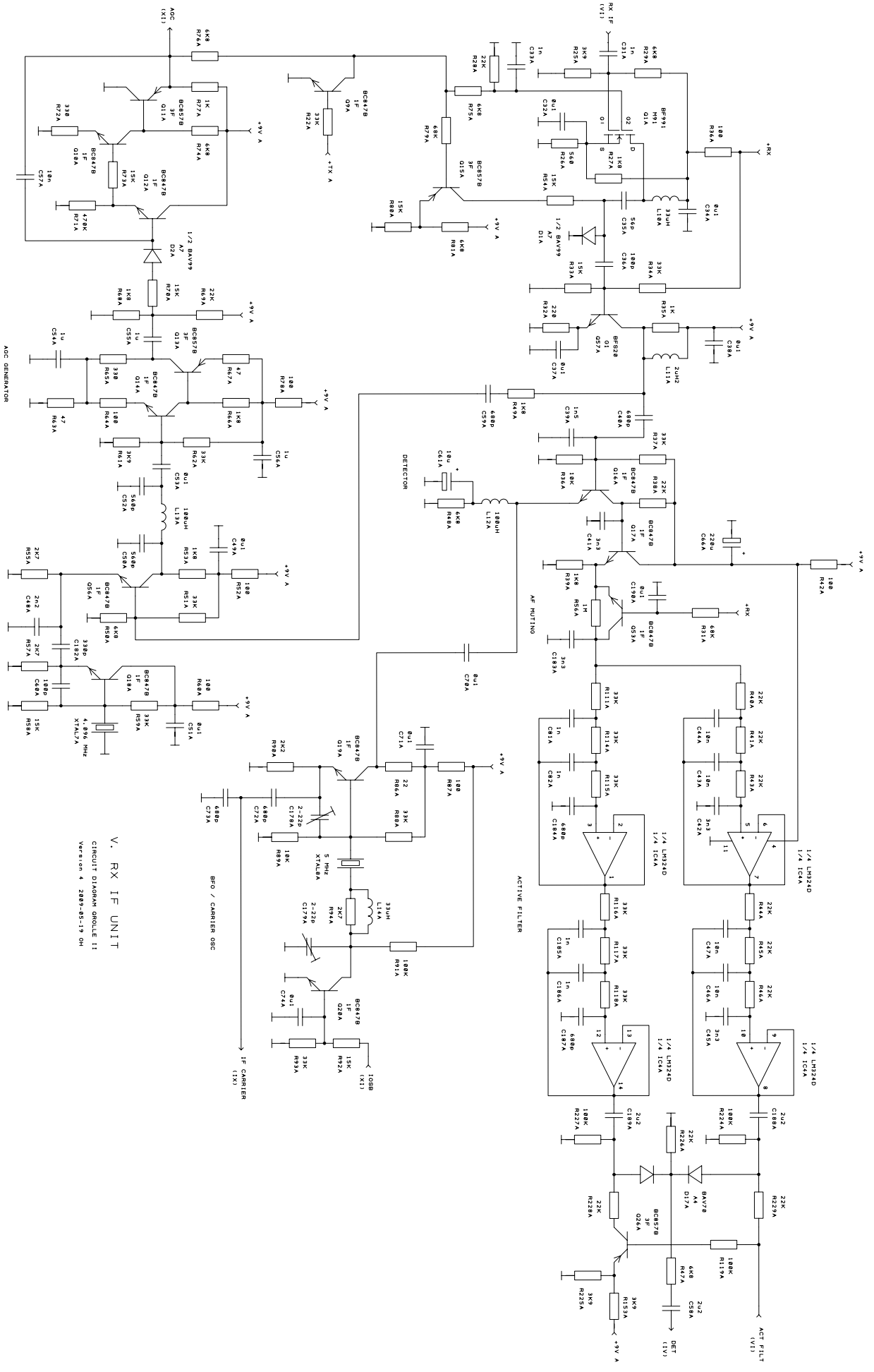
Version 4 2009-05-19 OH



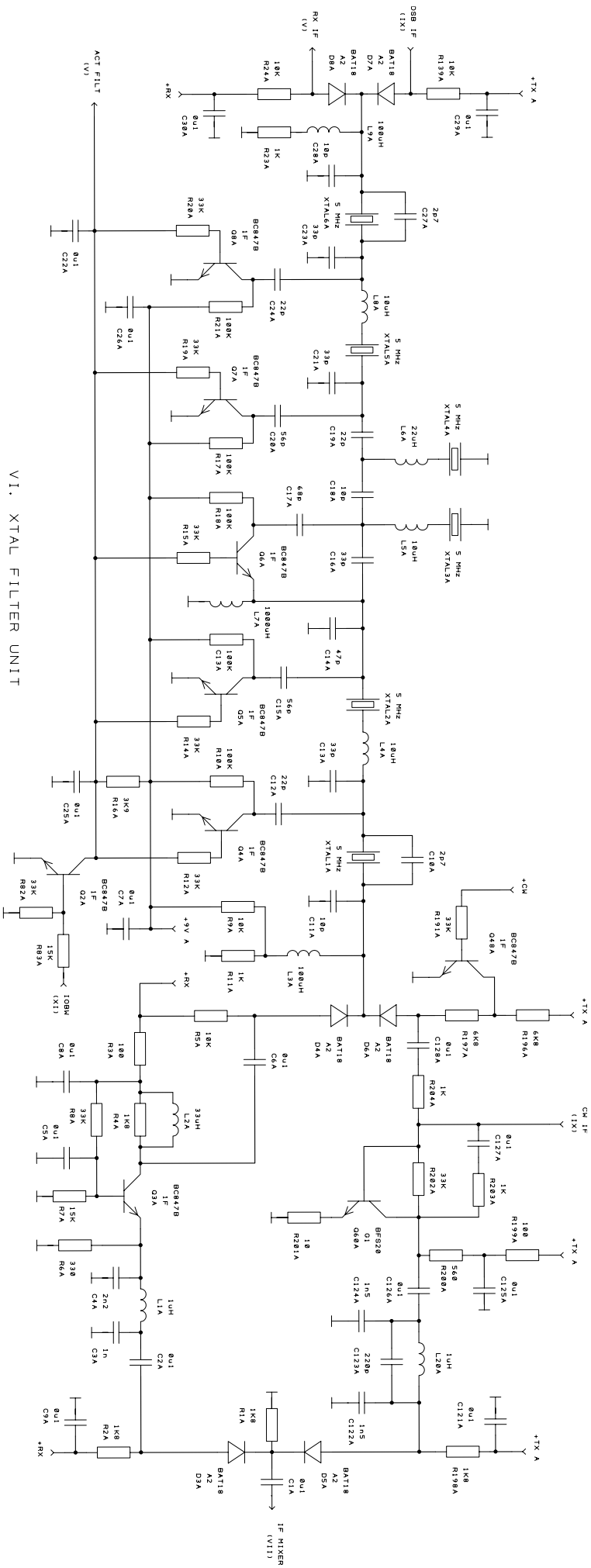
IV. AF UNIT

CIRCUIT DIAGRAM QROLLE II

Version 4 2009-05-19 OH



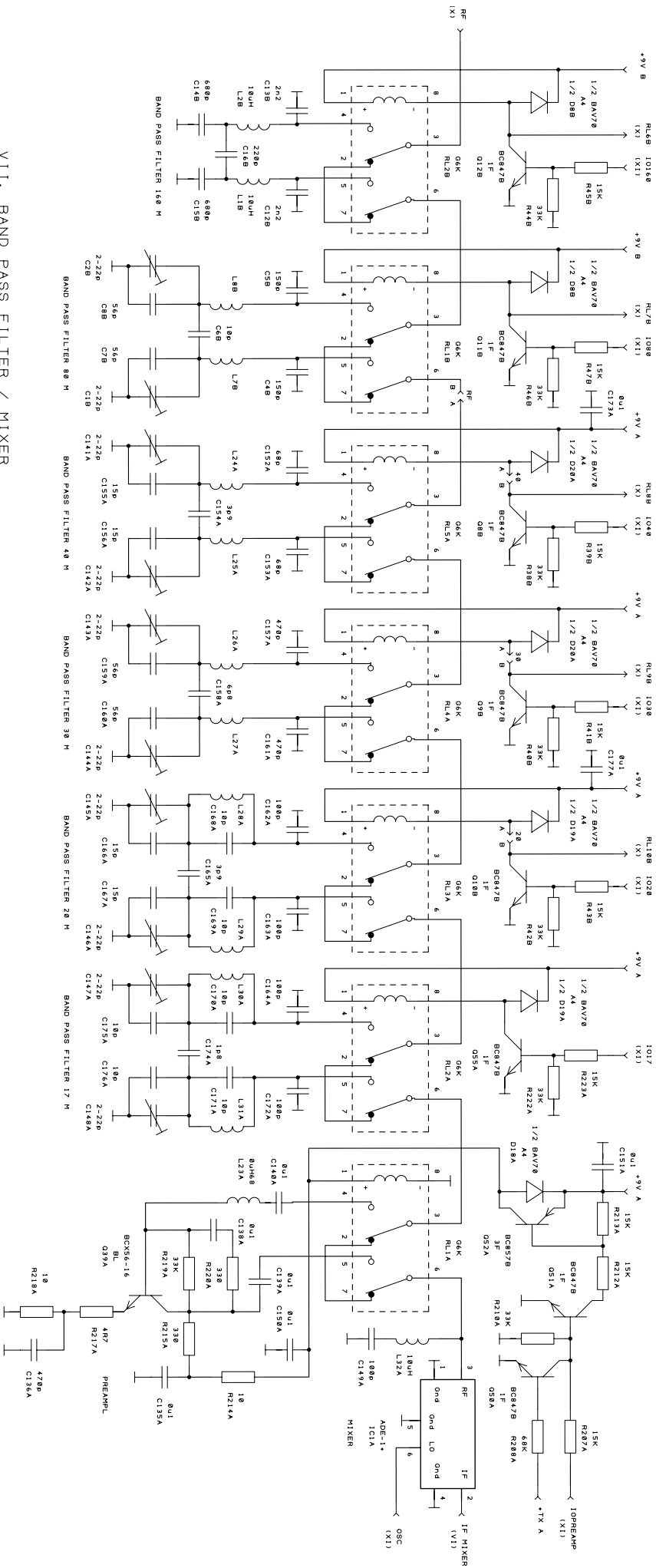
V. RX IF UNIT
 CIRCUIT DIAGRAM DOUBLE 11
 VERSION 4 2889-85-19 OH
 XTAL27A



VI. XTAL FILTER UNIT

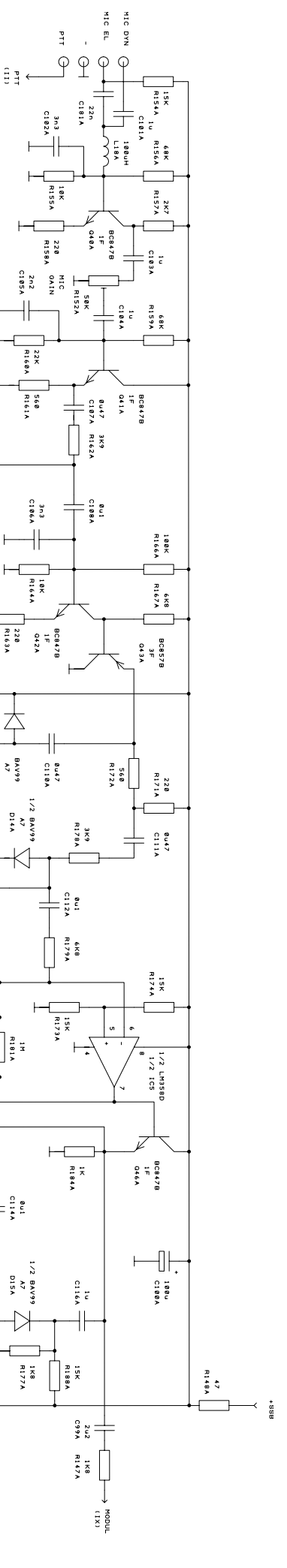
CIRCUIT DIAGRAM MODULE 11

Version 4 2009-05-19 OH



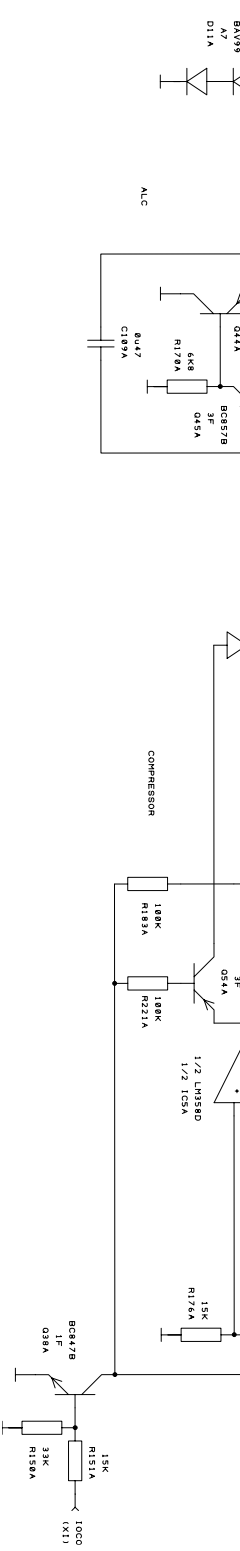
VII. BAND PASS FILTER / MIXER

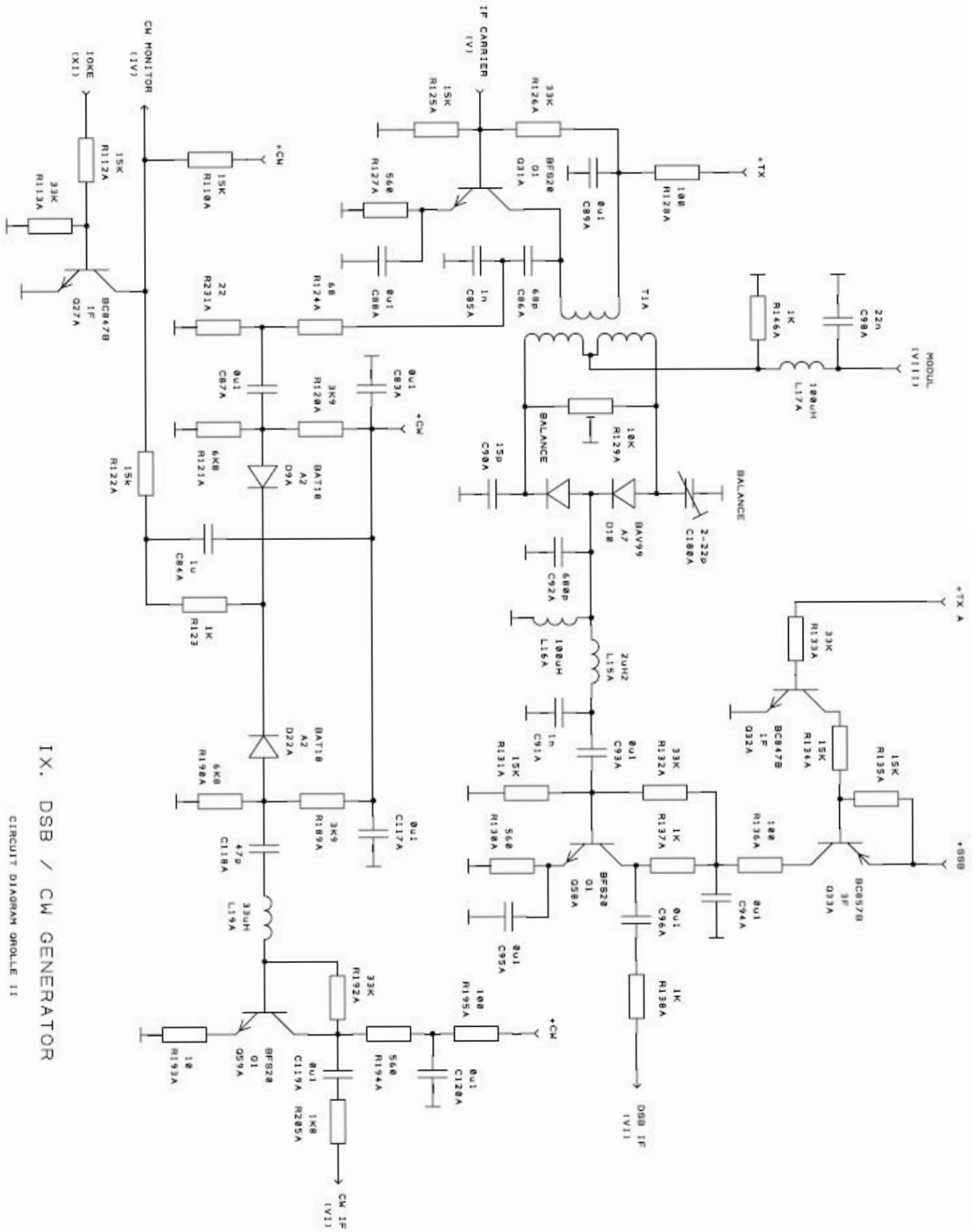
CIRCUIT DIAGRAM GROULE 11
Version 4 2009-05-19 OH



VIII. MIC AMPL / COMPRESSOR

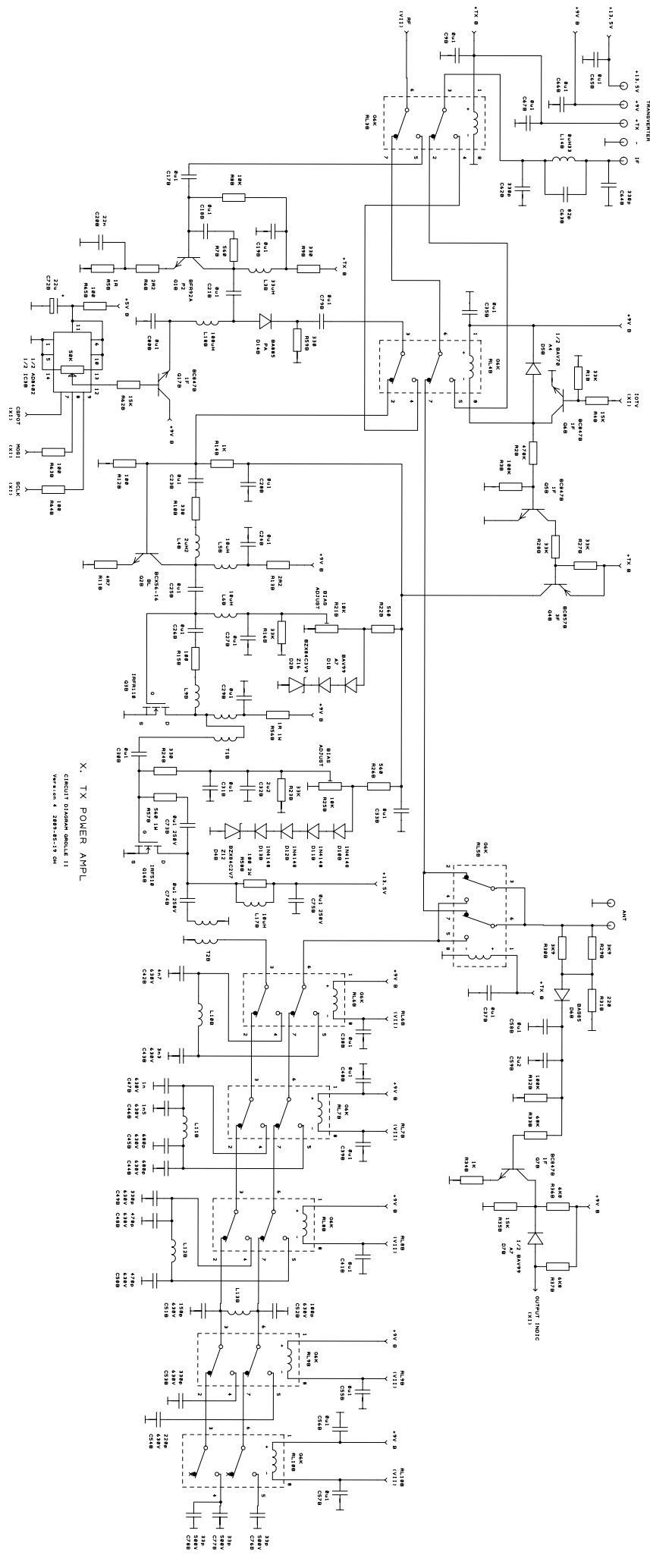
CIRCUIT DIAGRAM ONELE 11
Version 4 2009-05-19 OH



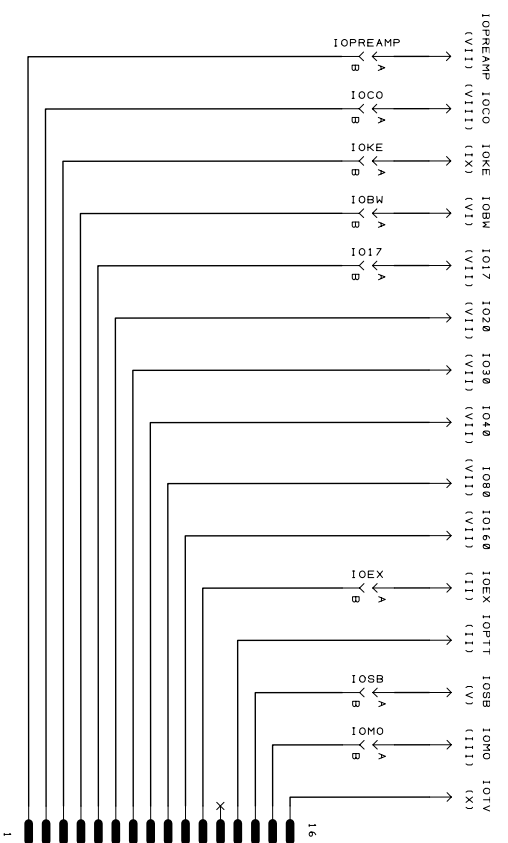


IX. DSB / CW GENERATOR

CIRCUIT DIAGRAM SHEET 11
 VERSION 4 Z805-87-02 OH



X. TX POWER AMPL.
 CIRCUIT DIAGRAM SHEET 11
 VERSION 4 289-95-13 OH



XI. CONTROLLER / OSC AMPL

CIRCUIT DIAGRAM OROLE II
Version 4 2009-05-19 OH

